

DS-1678ZJ

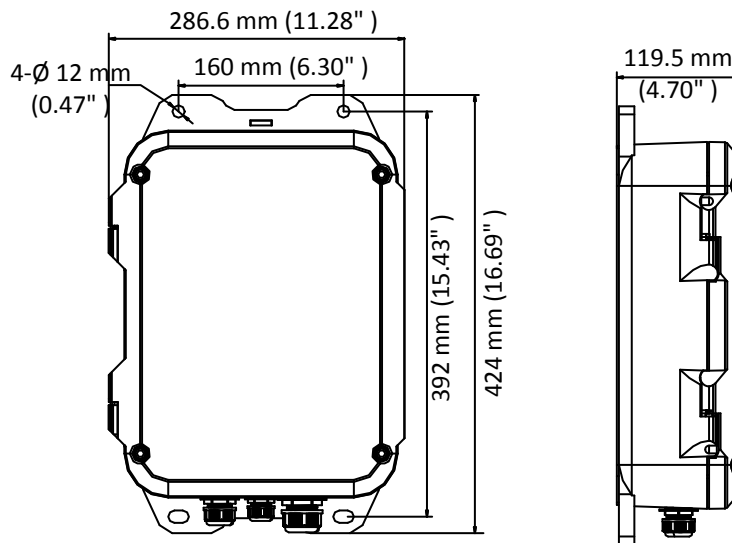
Terminal Box



Feature

- Aluminum alloy with surface spray treatment
- The terminal box facilitates the cable wiring

Dimension



Available Model

DS-1678ZJ

Parameter

Model	DS-1678ZJ
Parameters	Terminal Box
Appearance	Hikvision white
Material	Aluminum alloy
Dimension	424 mm × 286.6 mm × 119.5 mm (16.69" × 11.28" × 4.70")
Weight	6.2 kg (13.67 lb.)

Note

- The installation surface must be capable of supporting at least 8 times as much as the total weight of the camera, and the terminal box.
- The terminal box's maximum load capacity is 10 kg (22 lb.).